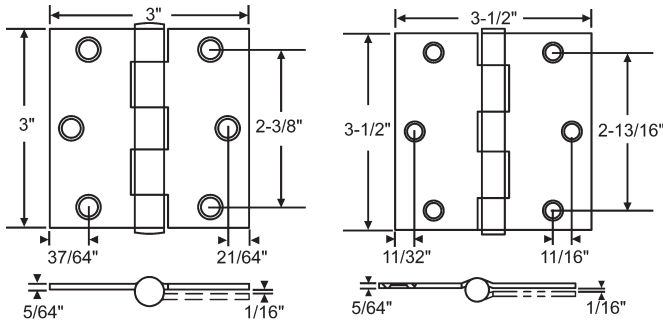




Steel Plain Bearing Butt Hinges with Removable Pin (Non-Rising).
These hinges are packed and **sold by the pairs**. All hinges supplied with flat head phillips screws.



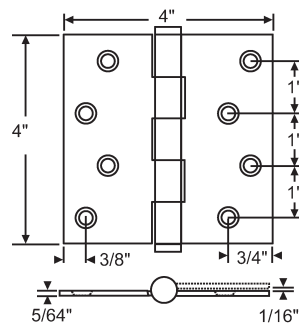
Part Number	Finish	Thickness
56-260SBRS	Satin Brass	2.0 mm

Square Corner. 3" x 3"

Part Number	Finish	Thickness
56-263SBRS	Satin Brass	2.2 mm
56-263SNK	Satin Nickel	2.2 mm

Square Corner. 3-1/2" x 3-1/2"

Steel Plain Bearing Butt Hinges with Non-Removable Pin (Riveted)
This hinge is packed and **sold by the pairs**. All hinges are supplied with flat head phillips wood screws.

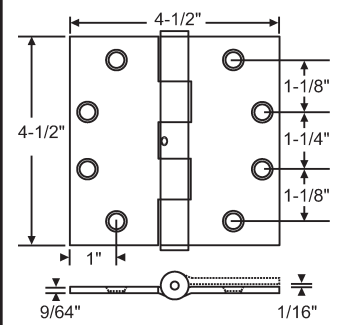


Part Number	Finish	Thickness
56-441	Zinc Plated US2	2.2 mm

Square Corner. 4" x 4"

Steel Plain Bearing Butt Hinges with Non-Removable Pin

These hinges are packed and **sold in sets of three**. All hinges are supplied with flat head phillips wood screws.

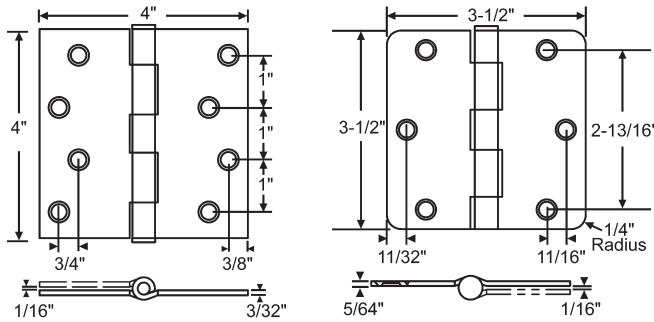


Part Number	Finish	Thickness
56-402SCH	Satin Chrome	3.4 mm
56-402USP	Gray Prime Coat	3.4 mm

Square Corner. 4-1/2" x 4-1/2"

Steel Spring Hinges Single Action, UL Listed

These spring hinges are packed and **sold individually**. All spring hinges supplied with flat head phillips wood and machine screws, hex wrench and instructions

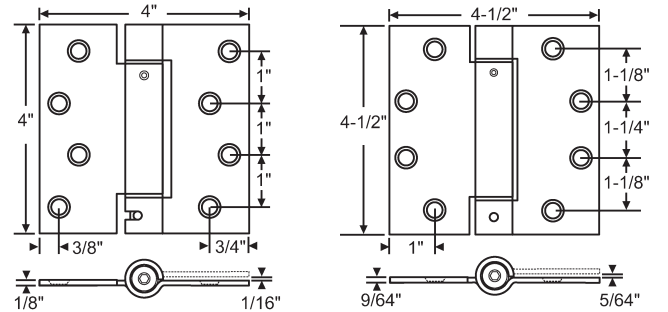


Part Number	Finish	Thickness
56-264SBRS	Satin Brass	2.5 mm
56-264SNK	Satin Nickel	2.5 mm

Square Corner. 4" x 4"

Part Number	Finish	Thickness
56-261SBRS	Satin Brass	2.2 mm

1/4" Radius. 3-1/2" x 3-1/2"



Part Number	Finish	Thickness
56-403SNK	Satin Nickel	3.3 mm

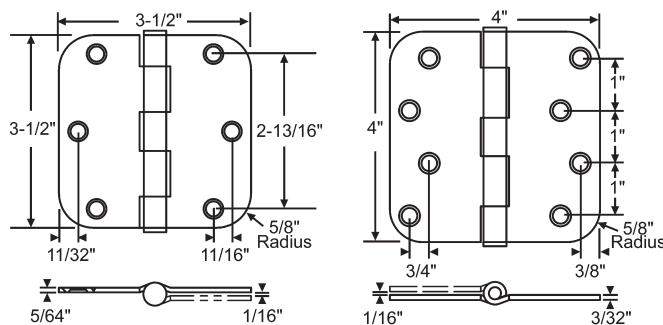
Square Corner. 4" x 4"

Part Number	Finish	Thickness
56-316SBRS	Satin Brass	3.4 mm
56-316SCH	Satin Chrome	3.4 mm
56-316USP	Gray Prime Coat	3.4 mm

Square Corner. 4-1/2" x 4-1/2"

Steel 2 Ball Bearing Butt Hinges

These ball bearing hinges are packed and **sold in sets of three**. All hinges are supplied with flat head phillips wood and machine screws.

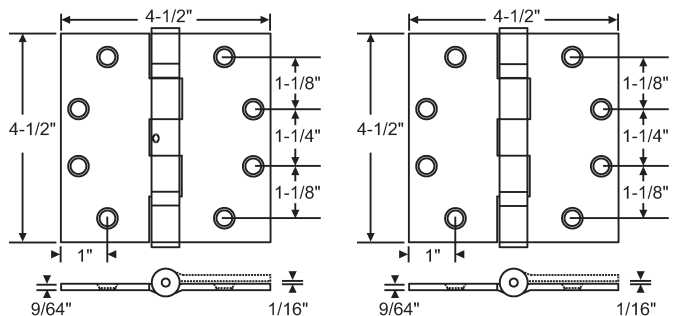


Part Number	Finish	Thickness
56-262SBRS	Satin Brass	2.2 mm
56-262SNK	Satin Nickel	2.2 mm
56-262SCH	Satin Chrome	2.2 mm

5/8" Radius. 3-1/2" x 3-1/2"

Part Number	Finish	Thickness
56-179SBRS	Satin Brass	2.5 mm
56-179SNK	Satin Nickel	2.5 mm
56-179SCH	Satin Chrome	2.5 mm

5/8" Radius. 4" x 4"



Part Number	Finish	Thickness
56-321SCH	Satin Chrome	3.4 mm

Square Corner. 4-1/2" x 4-1/2"
Non-Removable Pin

Part Number	Finish	Thickness
56-413SCH	Satin Chrome	3.4 mm

Square Corner. 4-1/2" x 4-1/2"
Removable Pin (Non-Rising)