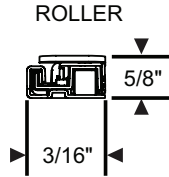
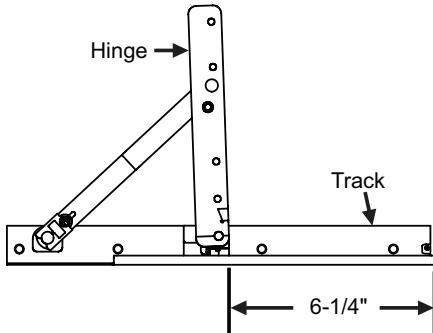
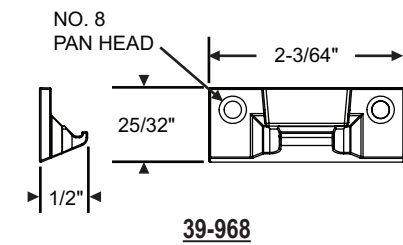
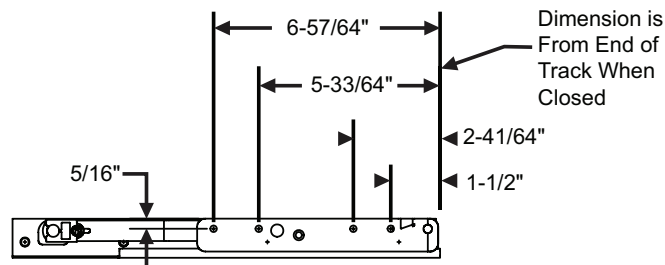
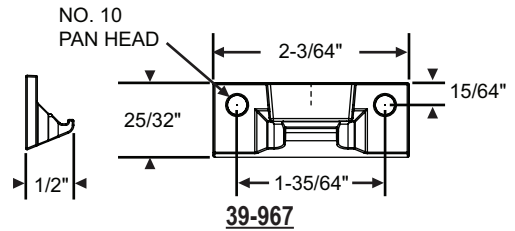


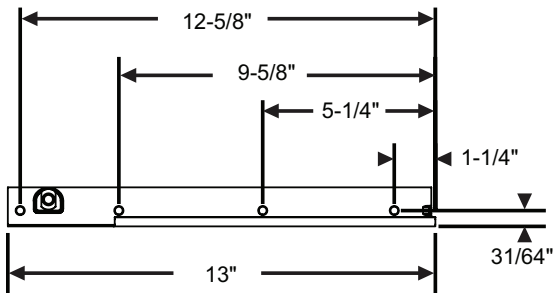
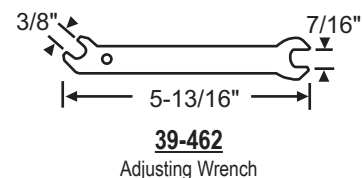
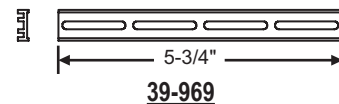
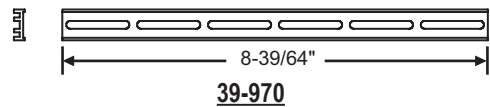
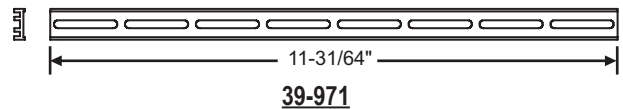
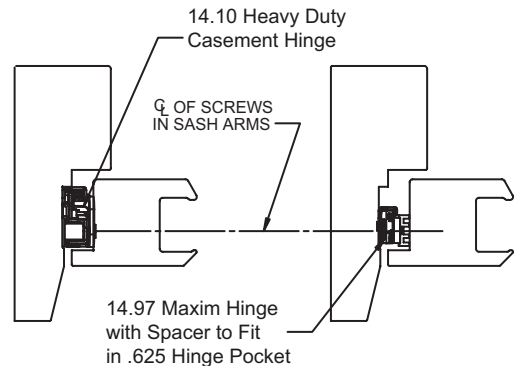
1. Capable of supporting a 140 lb. sash
2. Hinge allows use of triple pane glass and laminate glass package in larger windows.
3. Engineered to fit inot larger 5/8" x 1-3/16" hinge cavity.
4. Hinge made with stainless steel track, arms, rivets, metal shoe insert, UV resistance plastic shoe housing and heavy duty brass stud.
5. Track and hinge sold separately



Concealed Snubber, Die Cast



Hinge Spacer for Use in .625 Hinge Pocket



Truth Part #	Our Part Number	Description	Finish
14.10.00.511.1	28-166T	LL/UR Track Only	Stainless Steel
14.10.00.513.1	28-166	LL/UR Hinge Arm Only	Stainless Steel
14.10.00.512.1	28-169T	UL/LR Track Only	Stainless Steel
14.10.00.514.1	28-169	UL/LR Hinge Arm Only	Stainless Steel

High Performance Hinge Stop

