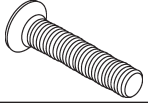

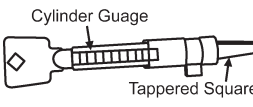
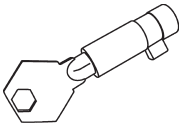



Profile Cylinder Accessories

Rekeying Instructions

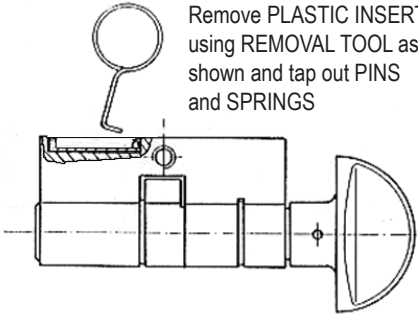
- Rekeying should be done by a qualified locksmith.
- Cylinder designs vary. HOPPE supplies CES brand cylinders and non-logo cylinders.
- Cylinders feature Schlage® SC1 keyways and may be rekeyed using Schlage® rekey kits.
- Cylinders should be rekeyed to an existing Schlage® key whenever possible.
- The HOPPE key gauge measures key cuts 1 through 9 the same as a Schlage® key gauge.


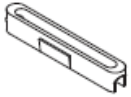

- When rekeying a CES cylinder using CES pins, use the CES pin number that corresponds with the measured key cut.
- When rekeying a CES cylinder using Schlage® pins, use the Schlage® pin number that is one less than the measured key cut. A key cut measuring 4 uses a #3 Schlage® pin.
- When rekeying a non-logo cylinder using CES pins, use the CES pin number that is one higher than the measured key cut. A key cut measuring 4 uses a #5 CES pin.
- When rekeying a non-logo cylinder using Schlage® pins, use the Schlage® pin number that corresponds with the measured key cut.

										
<table border="1"> <thead> <tr> <th>Part #</th> <th>Description</th> </tr> </thead> <tbody> <tr> <td>850-8773863</td> <td>50mm</td> </tr> <tr> <td>850-2406936</td> <td>60mm</td> </tr> </tbody> </table> <p>Stainless Steel Cylinder Screws</p>	Part #	Description	850-8773863	50mm	850-2406936	60mm	<p>850-8785231 Key Blanks - Schlage® 5-Pin</p>	<p>850-8750635 Construction Key with Cylinder Gauge. Long Version (Blue)</p>	<p>850-2667482 Construction Key Short Version (Black)</p>	<p>850-2426890 8mm Square Construction Key</p>
Part #	Description									
850-8773863	50mm									
850-2406936	60mm									

Steps to Rekey CES Cylinder with Plastic Insert

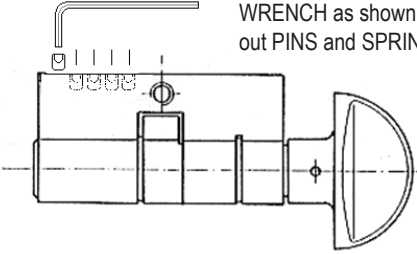
1. Remove PLASTIC INSERT using REMOVAL TOOL as shown and tap out PINS and SPRINGS






								
850-2000889 Removal Tool	850-8771719 Plastic Insert	<table border="1"> <thead> <tr> <th>Part #</th> <th>Description</th> </tr> </thead> <tbody> <tr> <td>850-8785239</td> <td>Standard - 100 cylinder capacity</td> </tr> <tr> <td>850-8785243</td> <td>Mini-Kit - 10 cylinder capacity</td> </tr> </tbody> </table> <p>Contains CES Pins</p>	Part #	Description	850-8785239	Standard - 100 cylinder capacity	850-8785243	Mini-Kit - 10 cylinder capacity
Part #	Description							
850-8785239	Standard - 100 cylinder capacity							
850-8785243	Mini-Kit - 10 cylinder capacity							

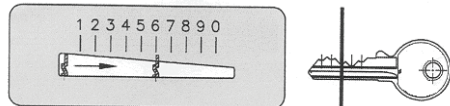
Steps to Rekey HOPPE Cylinder with Set Screws

1. Remove one SET SCREW at a time using 2 mm HEX WRENCH as shown and tap out PINS and SPRINGS



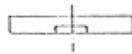

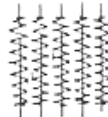




		
850-3475773 Set Screw	850-8762427 2mm Hex Wrench	850-3459001 30 cylinder capacity Key Kit Contains Schlage® Pins

2. **850-2070820**
HOPPE Key Gauge



Determine CORE PIN size with KEYING GAUGE

- 3.**
- Insert desired CORE PIN into the appropriate cylinder pin hole.
 - Note: For cylinder designs featuring six pin holes, the innermost hole (furthest from the key face) is left blank.
 - Insert HOUSING PIN
 - Insert SPRING
 - Repeat until all PINS have been replaced and install PLASTIC INSERT OR install SET SCREW and repeat until all PINS have been replaced.

PLASTIC PLUG			SET SCREWS
SPRINGS			SPRINGS
HOUSING (TOP) PINS		OR	HOUSING (TOP) PINS
CORE (BOTTOM) PINS			CORE (BOTTOM) PINS