

19-736 LH/RH & 19-259 LH/RH Offset Pivot Set

INSTALLATION INSTRUCTIONS

19-736 LH/RH: FLUSH DOOR

19-736LH Left Hand
19-736RH Right Hand

19-259 LH/RH: 1/8" RECESSED DOOR

19-259LH Left Hand
19-259RH Right Hand

For entrances with threshold only.

1. Drill or drill and countersink holes in door, frame and threshold as shown.

2. Rout out header and bottom of jamb and notch threshold as shown.

3. Install frame portion using (3) #12-24 x 3/4" flat head machine screws.

4. Install top and bottom door portions securing each with (2) 5/16 - 18 x 1/2" hex head cap screws with washers.

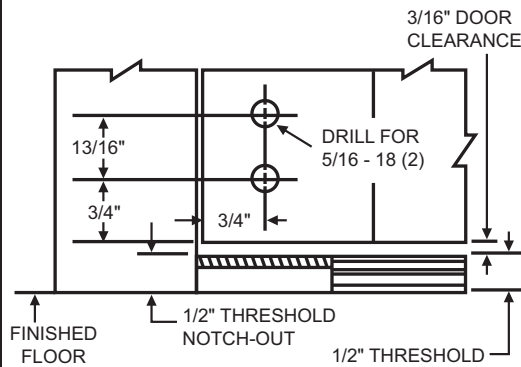
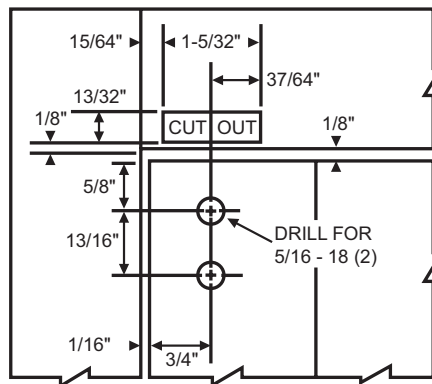
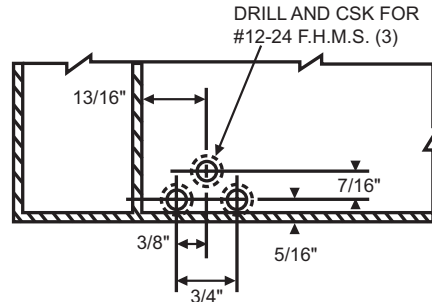
5. Install floor portion using (2) #12-24 x 3/4" flat head machine screws. Secure threshold to floor portion using (2) #12-24 x 3/8" flat head machine screws, and then install threshold in normal manner.

6. To install door, place bottom door portion on stud of floor portion at a slight angle, depress pin in the top door portion and tilt door into opening until pin engages in frame portion.

7. Adjust door for proper clearance by turning adjustable pivot stud (loosen set screw before adjusting and retighten after).

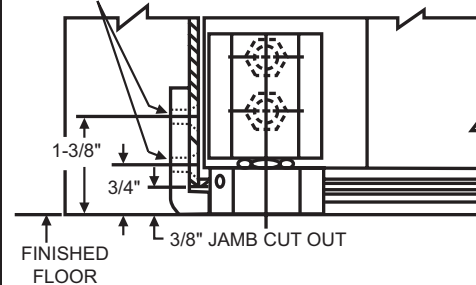
NOTE: Right hand door shown, left hand opposite.

HEADER & TOP DOOR PREPARATION 19-736 & 19-259

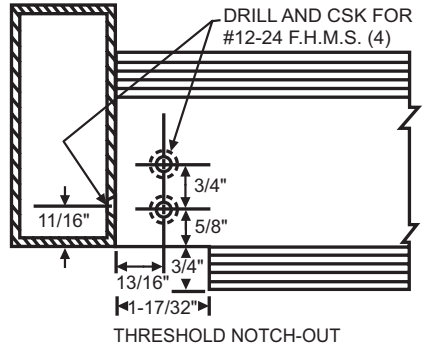
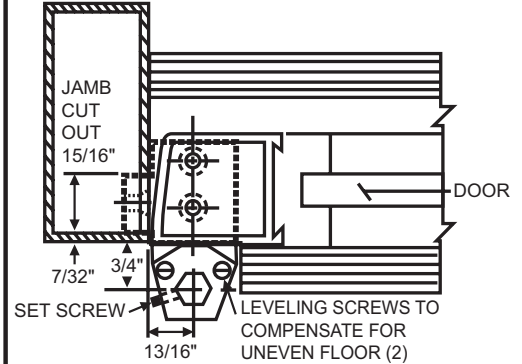


JAMB PREPARATION 19-258 & 19-737

DRILL AND CSK FOR #12-24 F.H.M.S. (2)



JAMB & THRESHOLD PREPARATION 19-736 LH/RH: FLUSH DOOR



JAMB & THRESHOLD PREPARATION 19-259 LH/RH: RECESSED DOOR

