

# Old FUHR Sliding Door Multi-Point System

This form is for an Old FUHR **Sliding** Door Multi-Point System.



**NOTE: There are only a few systems available to replace the old FUHR Sliding Door Multi-Point Locks. Please fill out the questionnaire and a sales representative will contact you with part numbers and availability.**

Customer Name: \_\_\_\_\_ Account Number \_\_\_\_\_

Contact: \_\_\_\_\_ Phone Number \_\_\_\_\_

1. **BACKSET:** What is the distance from the edge of the door back to the center of the keyway or thumbturn?  
 1-1/8" (28mm)    1-3/8" (35mm)
2. **HANDLE HEIGHT FROM CENTER OF HANDLE SHAFT TO BOTTOM EDGE OF DOOR:** (36" Standard) \_\_\_\_\_
3. **FACE PLATE WIDTH (runs down edge of door):**    5/8" (16mm - Flat Rail System)    1-1/64" (26mm - U-Rail System)
4. **DOOR PANEL HEIGHT:** \_\_\_\_\_
5. **IS YOUR DOOR MANUAL OR AUTOMATIC:**    Manual    Automatic

Based on the above information, please review the following : \_\_\_\_\_

---



---



---

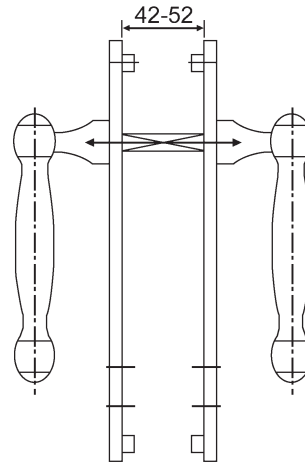
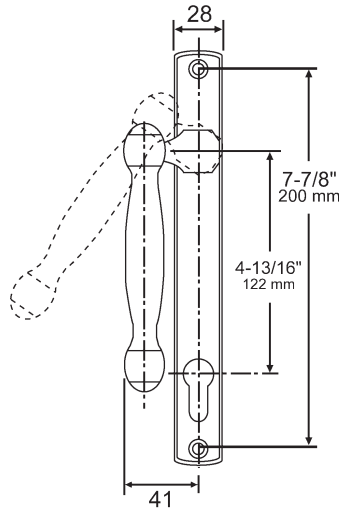


---

**Sliding Door Handle Sets Fit FUHR Gear System for 1-3/4" Door Thickness.**



392 Back Plate with 574 Handle  
Right Hand Shown



374 Back Plate with 574 Handle  
Right Hand Shown

Active with Cylinder							
	F71 Polished Brass	F73 Antique Brass	F41 Brushed Chrome	F49 Polished Chrome	F9010 White	F9714 Matte Black	F79 Oil Rub Brass
374/574*	850-8763211	850-8763219	850-8764911	850-8763231	850-8763239	850-8771275	850-8764935
392/574	850-8763255	850-8763267	850-8763287	850-8763279	850-8763311	850-8771291	850-8763303
Inactive with Thumb-turn							
374/574*	850-8765883	850-8765903	850-8764923	850-8763223	850-8763243	850-8771279	850-8764939
392/574	850-8763259	850-8763271	850-8763291	850-8763283	850-8763315	850-8771295	850-8763299
Dummy Sets							
374/574	850-8764507	850-8764515	850-8764523	850-8764531	850-8764555	850-8772351	850-8764543
392/574	850-8764451	850-8764459	850-8773199	850-8764475	850-8764499	850-8772355	850-8764483

\* There are limited finishes and quantities available of the 374 back plates. Call your account manager to get the prices and delivery.

**FAX THIS QUESTIONNAIRE TO: 610-534-3202 or 305-557-5239 (Florida)**